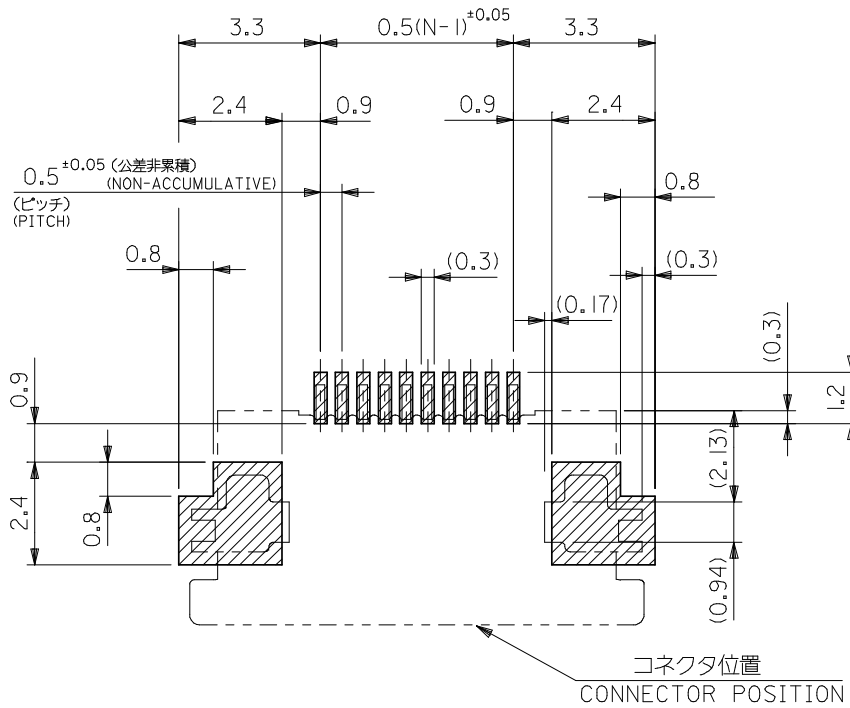
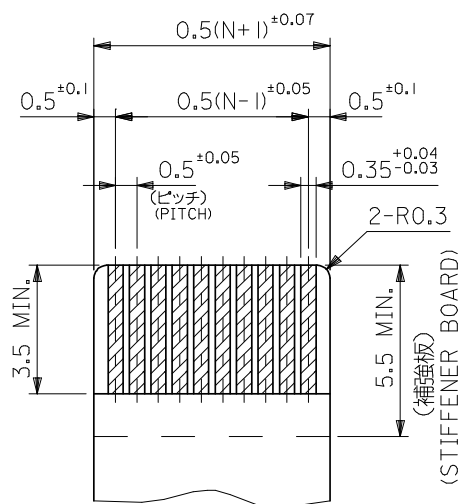


30.5	29.3	25.65	24.5	54132-5097	54132-5039	50
28.0	26.8	23.15	22.0	-4597	-4539	45
27.0	25.8	22.15	21.0	-4397	-4339	43
25.5	24.3	20.65	19.5	-4097	-4039	40
24.5	23.3	19.65	18.5	-3897	-3839	38
23.5	22.3	18.65	17.5	-3697	-3639	36
23.0	21.8	18.15	17.0	-3597	-3539	35
22.5	21.3	17.65	16.5	-3497	-3439	34
22.0	20.8	17.15	16.0	-3397	-3339	33
21.5	20.3	16.65	15.5	-3297	-3239	32
20.5	19.3	15.65	14.5	54132-3097	54132-3039	30
D	C	B	A	EMBOSSED TAPE		MATERIAL. NO.
				ORDER No. オーダー番号		CKT.

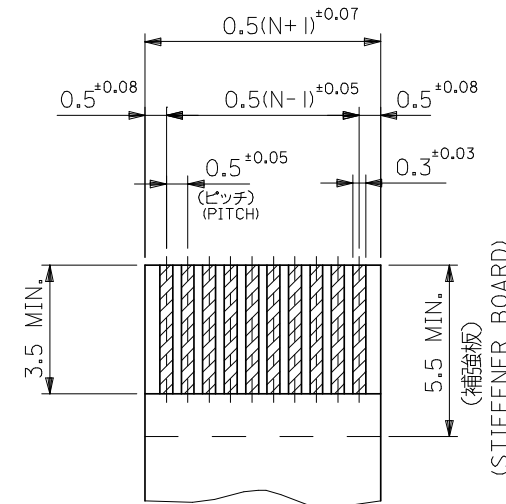
REVISED EC NO: J2008-4308 DRWN: NABEI 2008/06/27 CHKD: THARUYAMA 2008/06/30 APPR: NUKITA 2008/06/30	GENERAL TOLERANCES (UNLESS SPECIFIED)		DIMENSION STYLE	SCALE	DESIGN UNITS	THIRD ANGLE PROJECTION
			MM ONLY	---	METRIC	
	10 UNDER	±0.2	DRAWN BY	DATE	TITLE	
	10 OVER 30 UNDER	±0.25	M. NABEI	'03/12/15	0.5 FPC CONN ZIF HOUSING ASSY FOR SMT -LEAD FREE-	
	30 OVER	±0.3	CHECKED BY	DATE	MOLEX INCORPORATED	
ANGULAR ±3 °		APPROVED BY	DATE	MATERIAL NO.	DOCUMENT NO.	SHEET NO.
DRAFT WHERE APPLICABLE MUST REMAIN WITHIN DIMENSIONS		M. SASAO	'03/12/15	SEE TABLE	SD-54132-060	1 OF 2
THIS DRAWING CONTAINS INFORMATION THAT IS PROPRIETARY TO MOLEX INCORPORATED AND SHOULD NOT BE USED WITHOUT WRITTEN PERMISSION						



参考基板レイアウト
RECOMMENDED PC BOARD PATTERN DIMENSION(REF.)
(マウント面)
(MOUNTING SIDE)



適合FPC推奨寸法
APPLICABLE FPC RECOMMENDED DIMENSION
(仕上がり厚さ: 0.3±0.03)
(THICKNESS: 0.3±0.03)



適合FFC推奨寸法
APPLICABLE FFC RECOMMENDED DIMENSION
(仕上がり厚さ: 0.3±0.03)
(THICKNESS: 0.3±0.03)

注記
NOTES

1. 使用材料
MATERIAL : 46ナイロン, UL 94V-0
HOUSING : 46NYLON
アクチュエーター
ACTUATOR : PPS, UL 94V-0
ターミナル
TERMINAL : リン青銅 (t=0.2)、銅・ピスマスメッキ 1.0~3.0 MICRO METER MIN.
ニッケル下地 1.0~3.0 MICRO METER MIN.
#PHOS-BRO,TIN-BISMUTH-PLATE 1.0~3.0 MICRO METER MIN.
OVER NICKEL 1.0~3.0 MICRO METER MIN.
金具
FITTING NAIL : リン青銅 (t=0.2)、銅メッキ 1.0~3.0 MICRO METER MIN.
ニッケル下地 1.0~3.0 MICRO METER MIN.
#PHOS-BRO,TIN-PLATE 1.0~3.0 MICRO METER MIN.
OVER NICKEL 1.0~3.0 MICRO METER MIN.

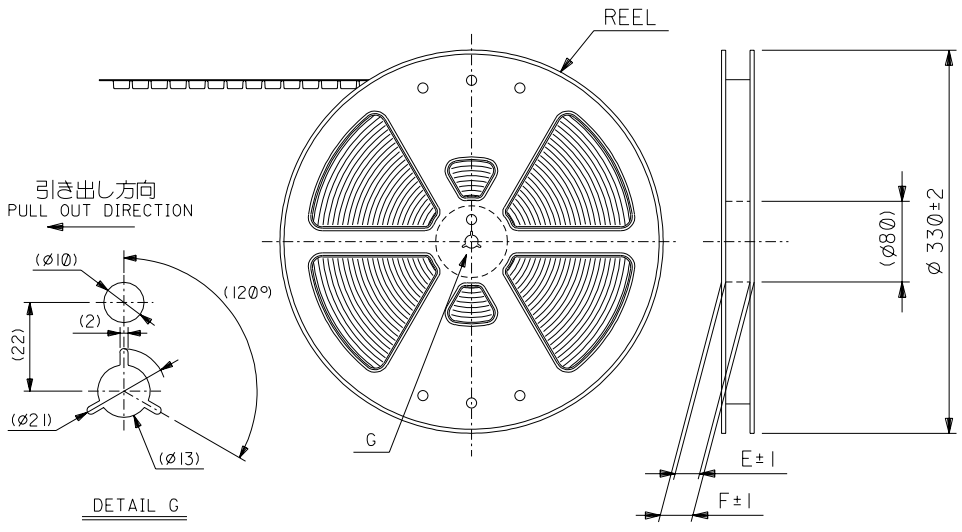
2. エンボステープ梱包時は、アクチュエーターがロックした状態とする。
IN THE PACKAGE, ACTUATOR OF PART NO.54132-***31 SHOULD BE LOCKED.
3. ソルダータール半田付け面のスレ量、及び金具半田付け面のスレ量は、基準面 \square に対し上方向0.1MAX、下方向0.15MAXとする。
MISALIGNMENT OF SOLDER TAILS AND FITTING NAIL FROM \square UPPER DIRECTION: 0.1 MAX., LOWER DIRECTION: 0.15 MAX.
4. 偶数極に適用
APPLY FOR EVEN CIRCUIT.
5. パターンはくり止め用金具
FITTING NAIL FOR PREVENTION OF PEELING OF P.C.B. PATTERN.
6. 本製品は54132-***31の鉛フリー品である。
THIS PRODUCT IS LEAD FREE OF 54132-***31

FPC/FFCについて

打抜き方向は導体側から補強板側を推奨いたします。
導体部については軟銅箔35マイクロメーターまたは50マイクロメーター
RECOMMENDED PUNCHER DIRECTION:
FROM CONDUCTOR SIDE TO STIFFENER BOARD SIDE.
RECOMMENDED CONDUCTOR SPEC.:
THICKNESS OF SOFT COPPER FOIL:
35 micrometer or 50 micrometer

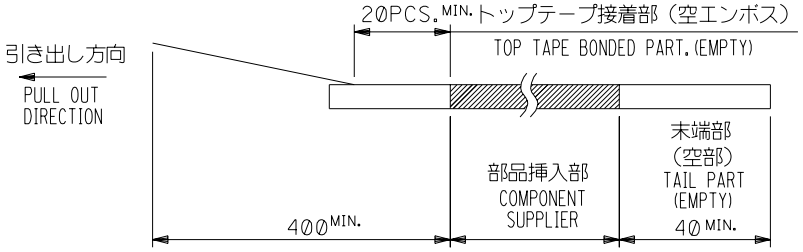
54132-***39 MODEL NO.

REVISED EC NO: J2008-4308 DRWN: NABEI 2008/06/27 CHKD: THARUYAMA 2008/06/30 APPR: NUKITA 2008/06/30	GENERAL TOLERANCES (UNLESS SPECIFIED)		DIMENSION STYLE MM ONLY		SCALE ---	DESIGN UNITS METRIC	THIRD ANGLE PROJECTION	
	10 UNDER	±0.2	DRAWN BY M. NABEI	DATE '03/12/15	TITLE 0.5 FPC CONN ZIF HOUSING ASSY FOR SMT -LEAD FREE-			
	10 OVER 30 UNDER	±0.25	CHECKED BY M. SASAO	DATE '03/12/15	APPROVED BY M. SASAO '03/12/15			
	30 OVER	±0.3	MATERIAL NO. SEE SHEET 1		DOCUMENT NO. SD-54132-060		SHEET NO. 2 OF 2	
	ANGULAR ±3 °		THIS DRAWING CONTAINS INFORMATION THAT IS PROPRIETARY TO MOLEX INCORPORATED AND SHOULD NOT BE USED WITHOUT WRITTEN PERMISSION					

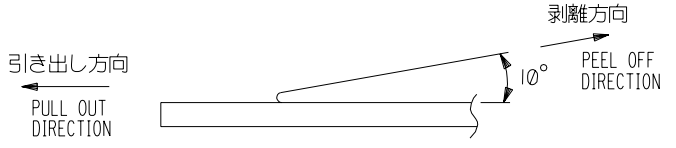


NOTES

1. 梱包数量：1500個/リール
NUMBER OF CONNECTORS : 1500PCS/REEL
2. リードテープ長さ LEAD TAPE LENGTH
20PCS. MIN. トップテープ接着部 (空エンボス)



3. トップテープの剥離強度：0.1N ~ 1.3N(10gf ~ 130gf)
(剥離方向は下図参照)
尚、本規格値は出荷時に適用。(但し、輸送時に剥離が発生しないこと。)
PEELING OFF FORCE OF TOP TAPE : 0.1N ~ 1.3N(10gf ~ 130gf)
(PEELING DIRECTION AS SHOWN IN FOLLOWING FIG.)
THIS REQUIREMENT SHOULD BE APPLIED AT SHIPMENT.
PEEL OFF SHOULD NOT BE ALLOWED , DURING TRANSPORTATION.

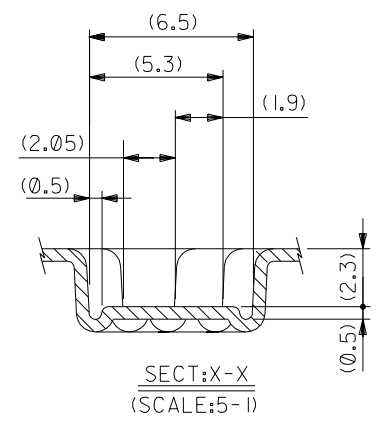
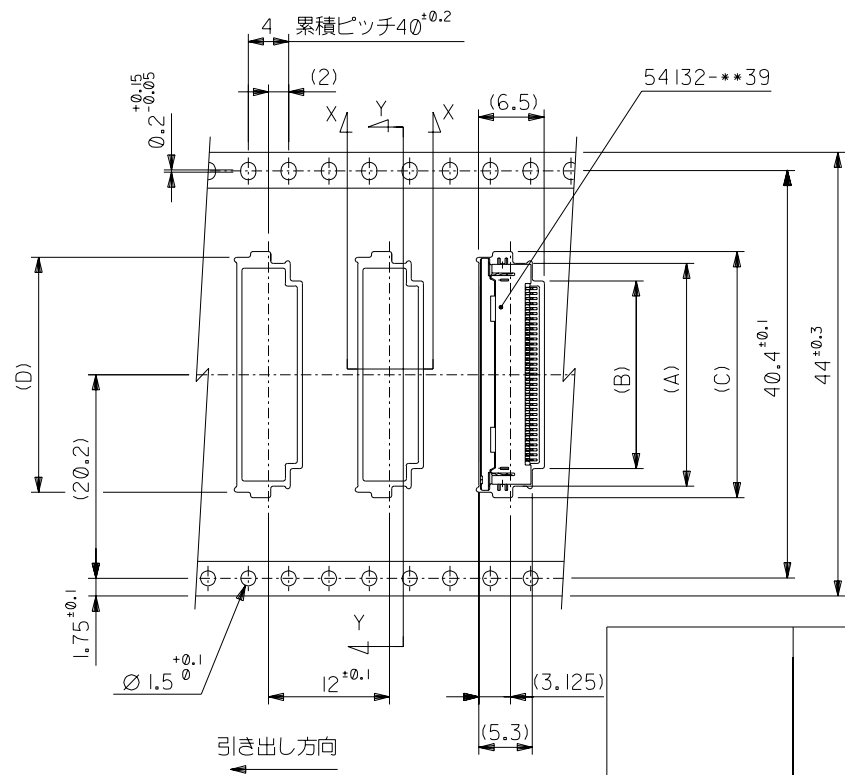
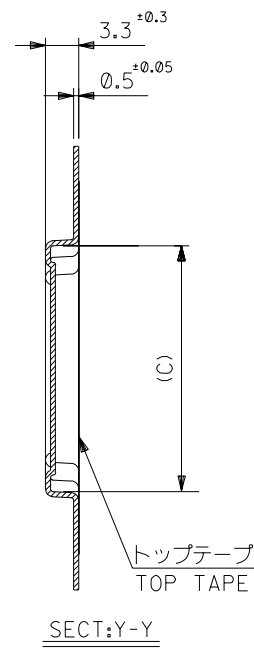


5. 材料 キャリアテープ：ポリプロピレン (PP)
トップテープ：PET, PE, PEF
リール：ポリスチレン (PS) <リサイクル材を含む>

MATERIAL CARRIER TAPE: POLYPROPYLENE
TOP TAPE: PET, PE, PEF
REEL: POLYSTYRENE (PS)
<RECYCLE MATERIAL CONTAINED>

6. 本製品は54132-**-**92の鉛フリー品である。
THIS PRODUCT IS LEAD FREE OF 54132-**-**92

EC NO. J2004-2790 DRWN: M.NABEI CHK: M.SASAO APPR: M.SASAO		EC NO. J2004-1538 DRWN: M.NABEI CHK: M.SASAO APPR: M.SASAO		MATERIAL 材料 注記参照 SEE NOTES		GENERAL TOLERANCES: (UNLESS SPECIFIED) 一般公差		SCALE 1/1		DESIGN UNITS <input checked="" type="checkbox"/> mm <input type="checkbox"/> INCH		THIRD ANGLE PROJECTION <input checked="" type="checkbox"/> mm ONLY		54132-**-97 MODEL NO.	
REVISED		RELEASED		FINISH 仕上げ		10 UNDER 未満 ±0.2		DRAWN BY & DATE M.NABEI 03/12/15		TITLE: EMBOSSED TAPE PACKAGE FOR 0.5 FPC CONN. ZIF -LEAD FREE-		SHT 1		REV	
EC NO. J2004-2790 DRWN: H.SHIMABUKURO CHK: K.TOJO APPR: M.SASAO		EC NO. J2004-1538 DRWN: M.NABEI CHK: M.SASAO APPR: M.SASAO		DESCRIPTION		10 OVER 30 UNDER 未満 ±0.25		CHECKED BY & DATE M.SASAO 03/12/15		MATERIAL NO. SEE CHART		DRAWING NO. SD-54132-061		SHEET NO. 1 OF 2	
A		0		WIRE RANGE 適用層線範囲		30 OVER 以上 ±0.3		APPROVED BY & DATE M.SASAO 03/12/15		MOLEX MOLEX INCORPORATED		SIZE B		EN-02J(097) MXJ-54	
INS. RANGE 被覆外径				ANGLE 角度 ±3°		CAD FILENAME SD-54132-061.S01		THIS DRAWING CONTAINS INFORMATION THAT IS PROPRIETARY TO MOLEX INCORPORATED AND SHOULD NOT BE USED WITHOUT WRITTEN PERMISSION.							



44	49.4	45.4	30.8	31.6	26.1	29.6	54132-5097	50	
			28.3	29.4	23.6	27.1	-4597	45	
			27.3	28.4	22.6	26.1	-4397	43	
			25.8	26.9	21.1	24.6	-4097	40	
			24.8	25.9	20.1	23.6	-3897	38	
			23.8	24.9	19.1	22.6	-3697	36	
			23.3	24.4	18.6	22.1	-3597	35	
			22.8	23.9	18.1	21.6	-3497	34	
			22.3	23.4	17.6	21.1	-3397	33	
			21.8	22.9	17.1	20.6	-3297	32	
20.8	21.9	16.1	19.6	54132-3097	30				
キャリアテープ幅 CARRIER TAPE WIDTH		F	E	D	C	B	A	ENG. NO.	CKT.

DO NOT SCALE DRAWING

EC NO. DRAWN: CHK: APPR:	EC NO. DRAWN: CHK: APPR:	EC NO. DRAWN: CHK: APPR:	REVISED EC NO. J2004-2790 DRAWN: H. SHIMABUKURO CHK: M. SASAO APPR: M. SASAO	RELEASED EC NO. J2004-1538 DRAWN: M. NABEI CHK: M. SASAO APPR: M. SASAO	DESCRIPTION MATERIAL 材料 FINISH 仕上げ WIRE RANGE 適用層線範囲 INS. RANGE 被覆外径	SHEET 1 OF 2 参照 REFER TO SHEET 1 OF 2	GENERAL TOLERANCES: (UNLESS SPECIFIED) 一般公差 10 UNDER 未満 ±0.2 10 OVER 以上 30 UNDER 未満 ±0.25 30 OVER 以上 ±0.3 ANGLE 角度 ±3°	SCALE DESIGN UNITS THIRD ANGLE PROJECTION	54132-***97 MODEL NO. DIMENSIONS: SHT REV	TITLE: EMBOSSD TAPE PACKAGE FOR 0.5 FPC CONN. ZIF -LEAD FREE-	MOLEX MOLEX INCORPORATED	MATERIAL NO. DRAWING NO. SHEET NO.
			A	0								EN-02J(097) MXJ-54